

## Bella on 63mm DIA Round Rose



**Product Code:** BL-R20-SC

**Description:**

A traditional, curved lever door handle with a sculptured stem is perfectly suited to classic panelled doors and heritage style environments. **The 63mm ø round rose has been specifically designed to suit doors with a 54mm ø hole.**

**Compliance:**    

**Rose/Plate Option Selected:**

Full set

**Size Selected:**

Full set

**Material:**

Brass

**Dimensions:**

Overall h63.5 x w145 x d63 (see line drawing download)

**Finish:**

Satin Chrome



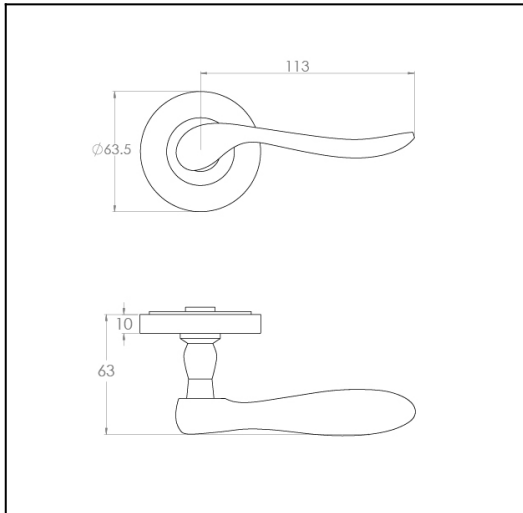
**Door thickness:**

Suits from 32mm to 52mm door as standard. For thicker doors longer screws and spindles are available.

**Fixing:**

Through bolt fixing, fully concealed. Self adjusting spindle 7.6mm to 8mm. Fits any lock or latch.

<http://www.designerdoorware.com.au/catalogue/54941>



**Line Drawings**

As a generic representation of the product, Line Drawings are designed for general use only and may not reflect specifics for all product options such as individual functions or sizes etc.

**Contact Us**

For any further clarification of this product information or for help and advice, please call us on +613 9300 8888.

Designer Doorware reserves the right to make changes in design, specification, or additions and improvements to our products without notice. Under no circumstances is Designer Doorware obliged to manufacture current products as previously supplied. Designer Doorware is not responsible for additions, alterations or assembly made to our products by others. By downloading this information, you accept and are bound by the Terms & Conditions of this website.

For full Terms & Conditions and Product Warranty information refer to [www.designerdoorware.com.au](http://www.designerdoorware.com.au).

© Designer Doorware - 7 Kimpton Way, Altona VIC 3018 Australia.