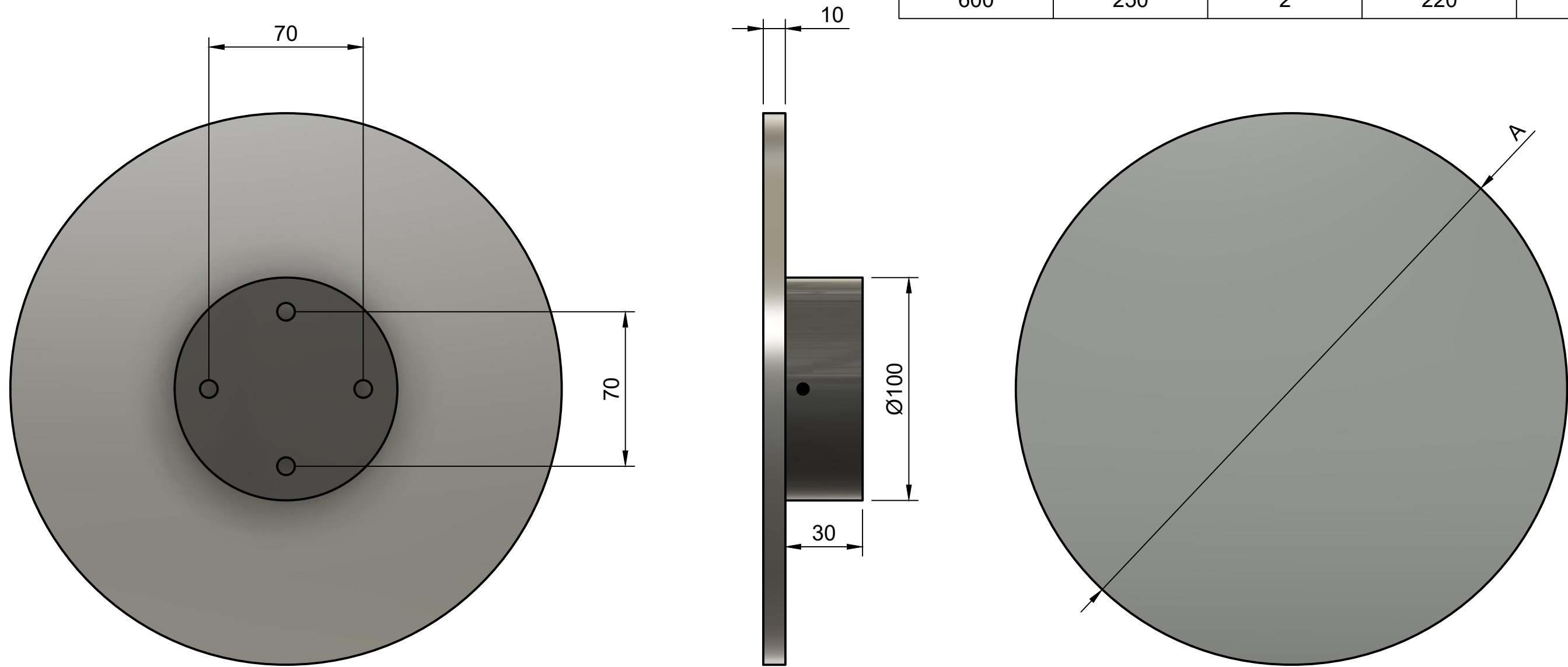
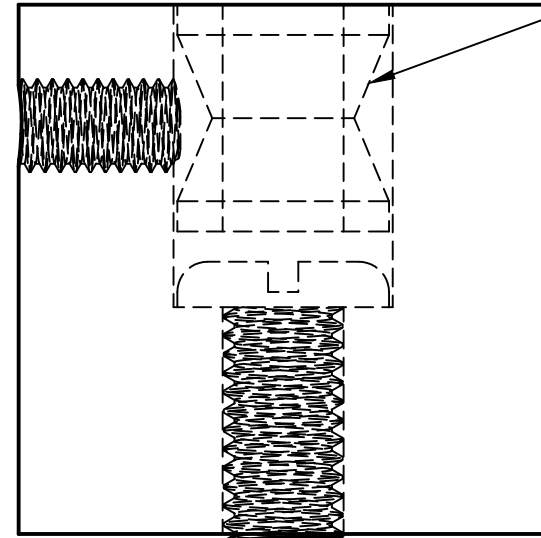
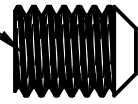


DIMENSIONS				
HANDLE DIAMETER	STAND DIAMTER	NO. FIXING POINTS	FIXING CTC	THRU FIXING HOLE SIZE
100	42	1	N/A	8
200	100	2	70	8
250	100	2	70	8
300	100	2	70	8
400	150	2	120	8
500	250	2	220	8
600	250	2	220	8



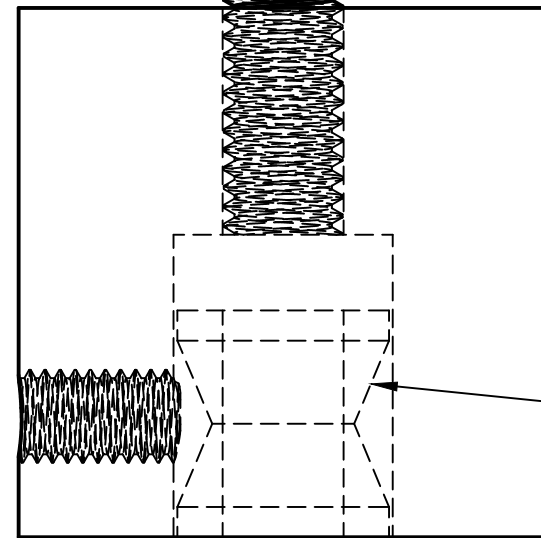
Grub Screw



Brass Ferrule

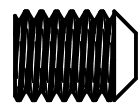
Handle Stand

M8 Bolt



Threaded
Handle Stand

Brass Ferrule



Installation Instructions

IMPORTANT! Mark and drill door from both sides.

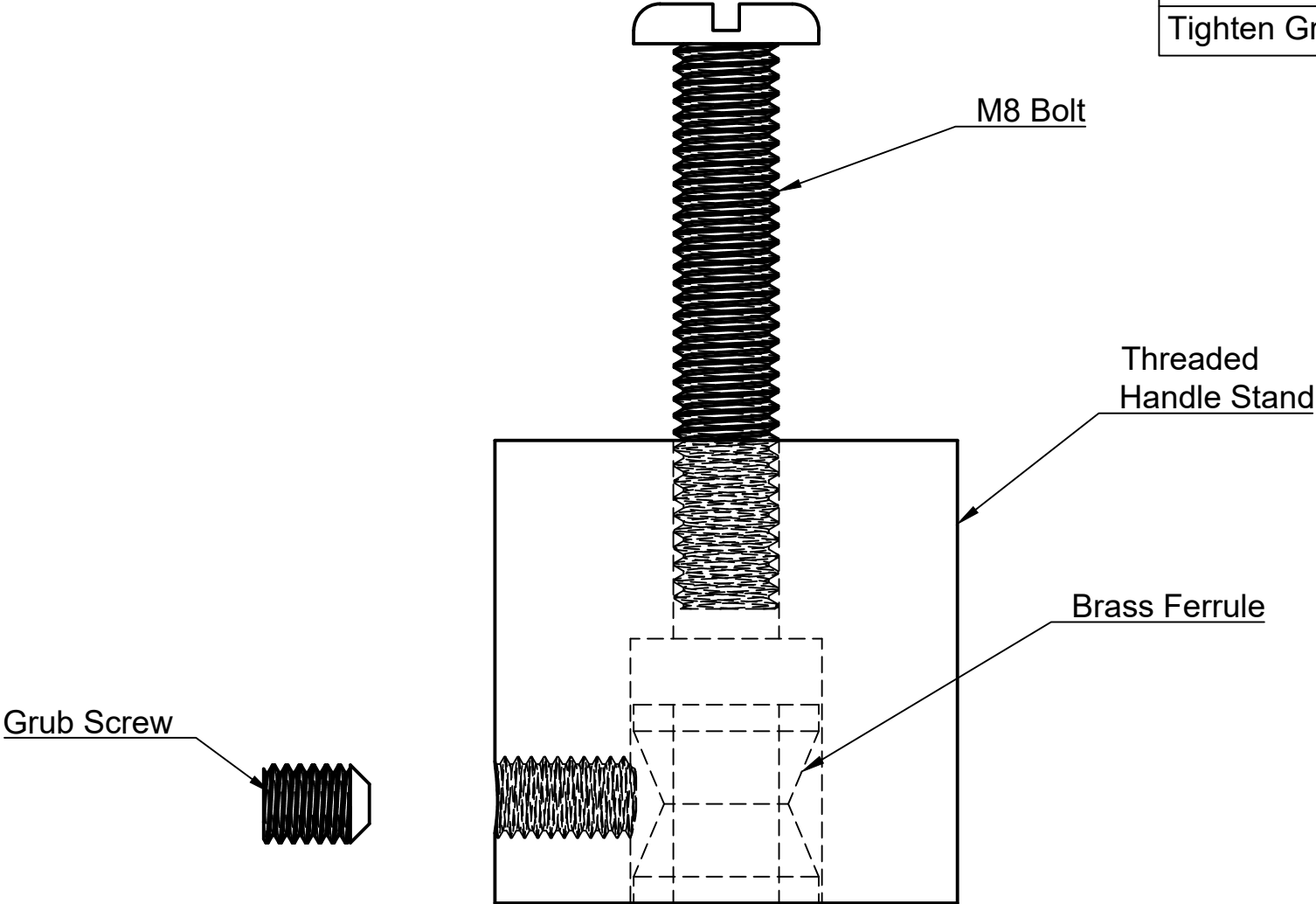
Cut bolt to required length. Allow 30mm longer than door thickness.

Screw stands together through door.

Place handle on stand, inserting Ferrules into stand.

Tighten Grub Screws

Installation Instructions
IMPORTANT! Mark and drill door from both sides.
Cut bolt to required length. Allow 15mm longer than door thickness.
Screw stands from behind to door.
Place handle on stand, inserting Ferrules into stand.
Tighten Grub Screws



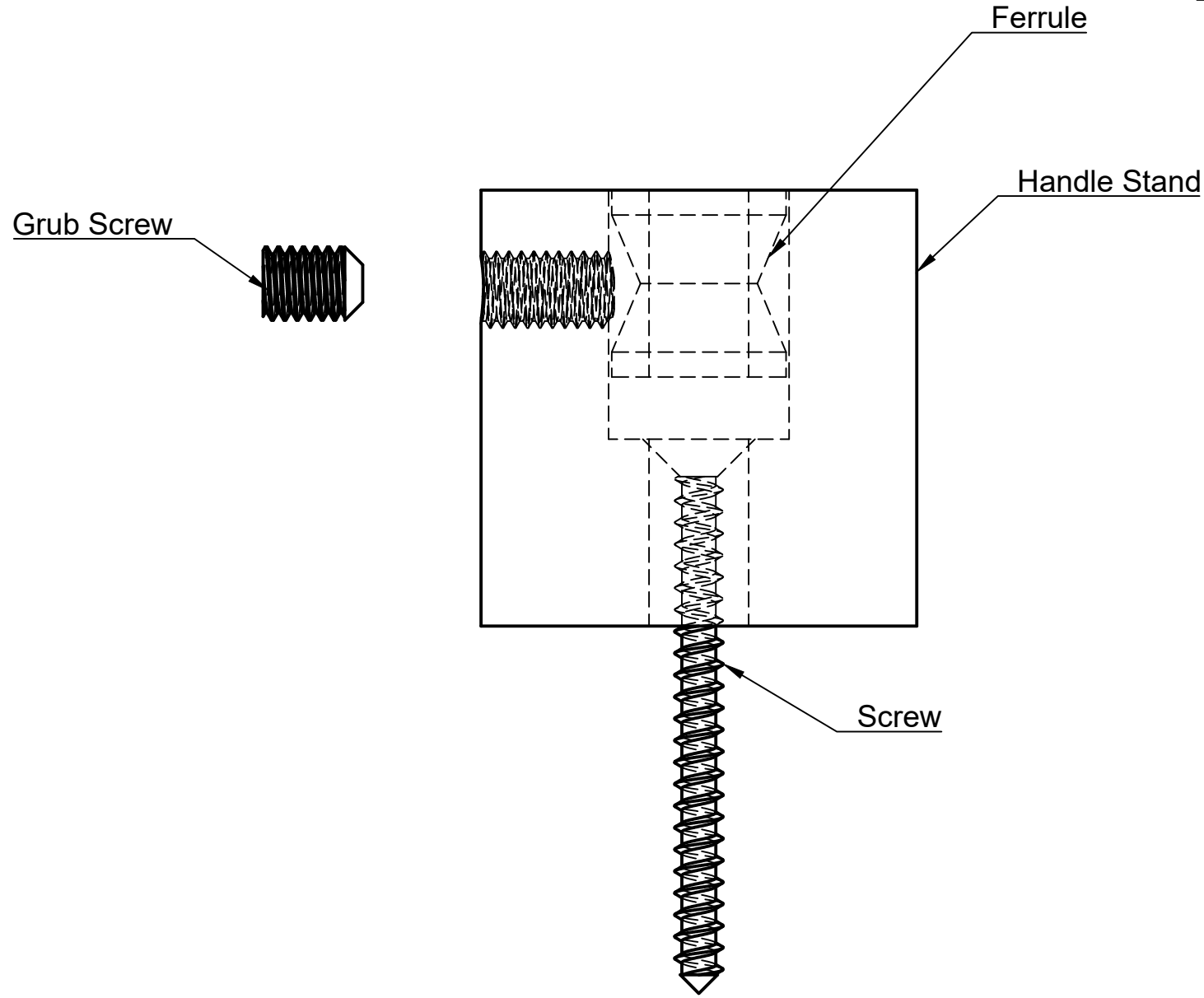
Drawing	Entrance Handle Rear Fixing
Date	2/02/2023
Scale	2:1

Installation Instructions

Screw stand to door.

Place handle on stand, inserting Ferrules into stand.

Tighten Grub Screws



Drawing
Entrance Handle Surface Fixing

Date
2/02/2023

Scale
2:1