

Club on rectangular window rose



Product Code: CL-R55-SC

Description:

Inheriting design pedigree from the Duo and Quad range, the Club lever blends soft contours with bold lines to add a sophisticated look to your doors. Mounted on a rectangular rose offers a simple yet effective feature in contemporary and classic interiors.

Dimensions:

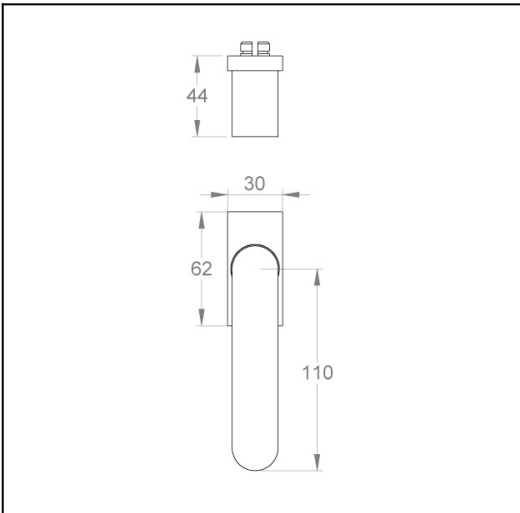
Overall h141 x w30 x d44 mm (see line drawing download)

Finish:

Satin Chrome



<http://www.designerdoorware.com.au/catalogue/59355>



Line Drawings

As a generic representation of the product, Line Drawings are designed for general use only and may not reflect specifics for all product options such as individual functions or sizes etc.

Contact Us

For any further clarification of this product information or for help and advice, please call us on +613 9300 8888.

Designer Doorware reserves the right to make changes in design, specification, or additions and improvements to our products without notice. Under no circumstances is Designer Doorware obliged to manufacture current products as previously supplied. Designer Doorware is not responsible for additions, alterations or assembly made to our products by others. By downloading this information, you accept and are bound by the Terms & Conditions of this website.

For full Terms & Conditions and Product Warranty information refer to www.designerdoorware.com.au.

© Designer Doorware - 7 Kimpton Way, Altona VIC 3018 Australia.