

Concrete Club on 63mm DIA Round Rose



Product Code: CCL-R20-SC-LGR

Description:

Bold and striking, the Concrete Club contrasts raw and sumptuous finishes in its fervent exhibition of contemporary materiality. A meticulous fusion of bold lines and soft contours ensures the Concrete Club adds a sophisticated touch to any door. The 63mm \varnothing round rose has been specifically designed to suit doors with a 54mm \varnothing hole.

Size Selected:

Full set

Material:

Brass

Dimensions:

Overall h63 x w141 x d51 mm (see line drawing download)

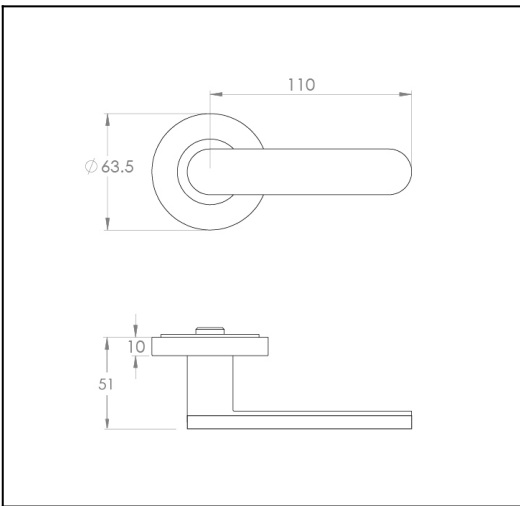
Finish:

Satin Chrome



Timber Finish:

Luna Grey



Door thickness:

Suits from 32mm to 52mm door as standard. For thicker doors longer screws and spindles are available.

Fixing:

Through bolt fixing, fully concealed. Self adjusting spindle 7.6mm to 8mm. Fits any lock or latch.

<http://www.designerdoorware.com.au/catalogue/57907>

Line Drawings

As a generic representation of the product, Line Drawings are designed for general use only and may not reflect specifics for all product options such as individual functions or sizes etc.

Contact Us

For any further clarification of this product information or for help and advice, please call us on +613 9300 8888.

Designer Doorware reserves the right to make changes in design, specification, or additions and improvements to our products without notice. Under no circumstances is Designer Doorware obliged to manufacture current products as previously supplied. Designer Doorware is not responsible for additions, alterations or assembly made to our products by others. By downloading this information, you accept and are bound by the Terms & Conditions of this website.

For full Terms & Conditions and Product Warranty information refer to www.designerdoorware.com.au.

© Designer Doorware - 7 Kimpton Way, Altona VIC 3018 Australia.