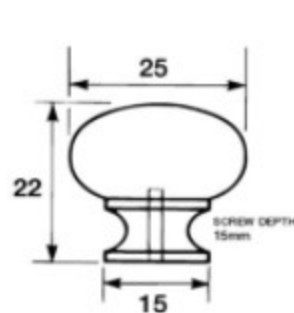


Material:	Solid Brass
Article number:	BK32 reference A / colour

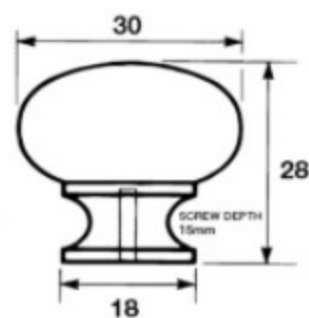


A	C	P	W
25	0	22	25
30	0	28	30
38	0	32	38

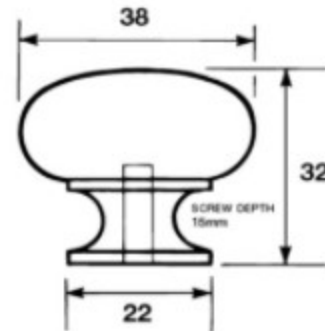
Colours available:	Brushed Nickel (BRN) Gunmetal (GM) Polished Brass (PB) Polished Chrome (PC) Satin Chrome (SCP)
--------------------	--



BK3225



BK3230



BK3238